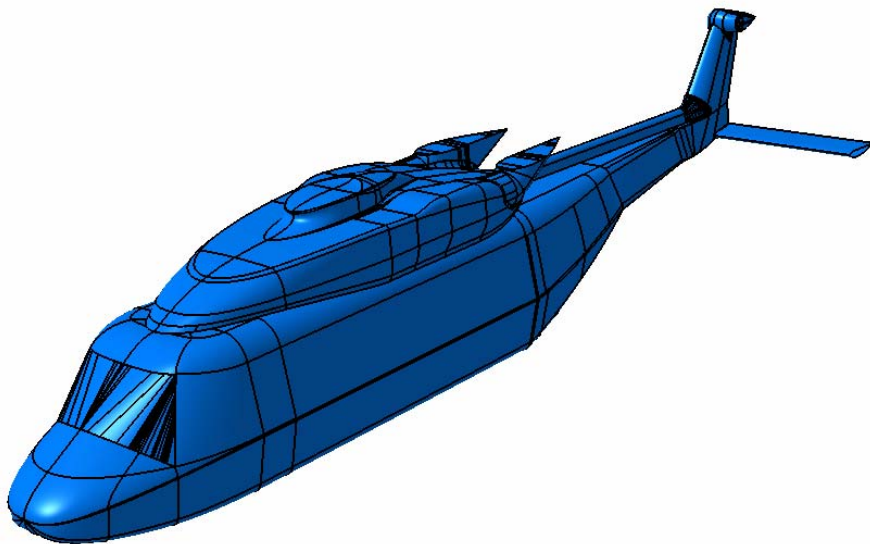
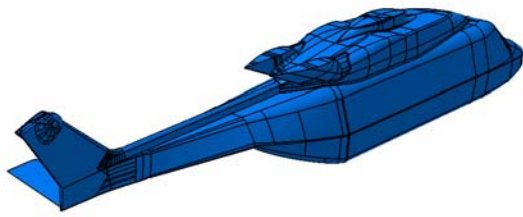




NH90 sc. 1:3.881 model



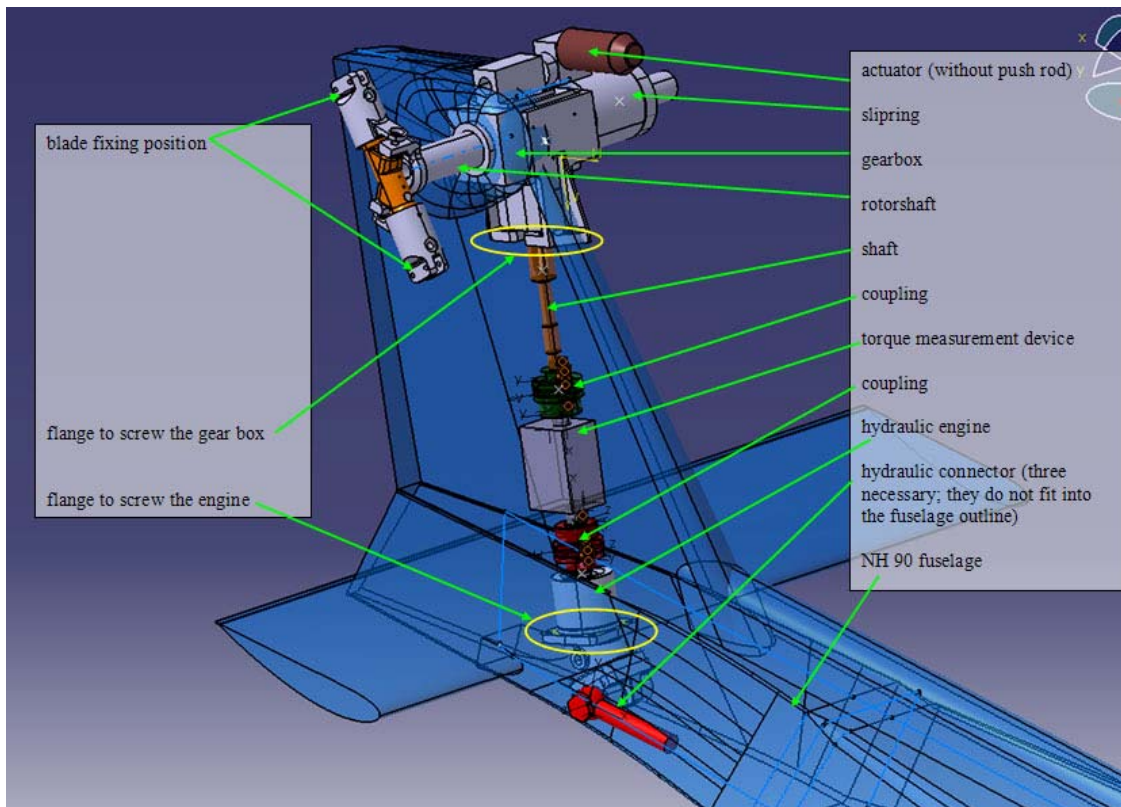
NH90 full Catia 3D Model front left view



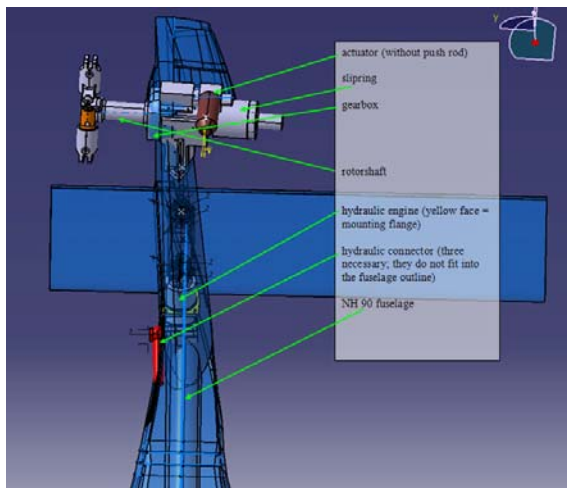
NH90 full Catia 3D Model rear right view



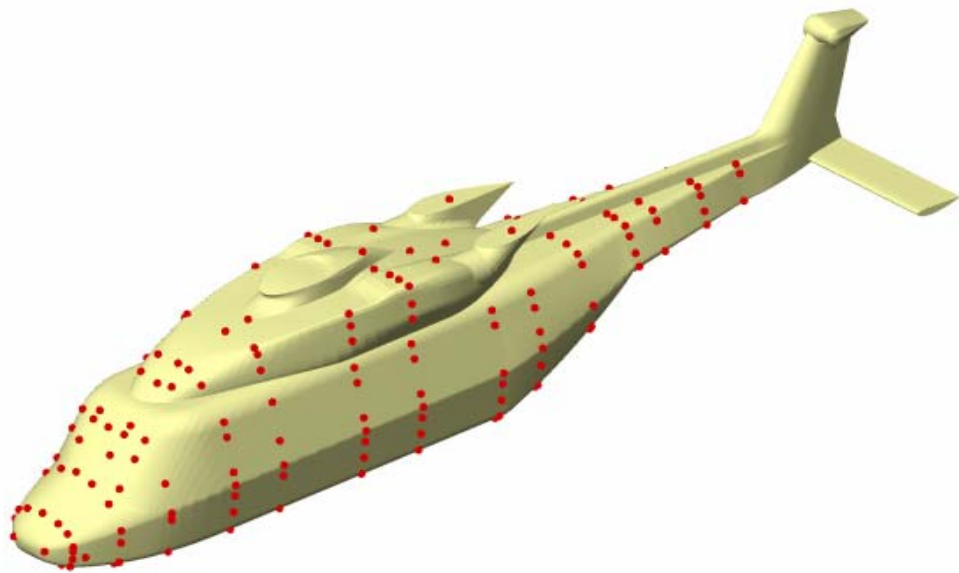
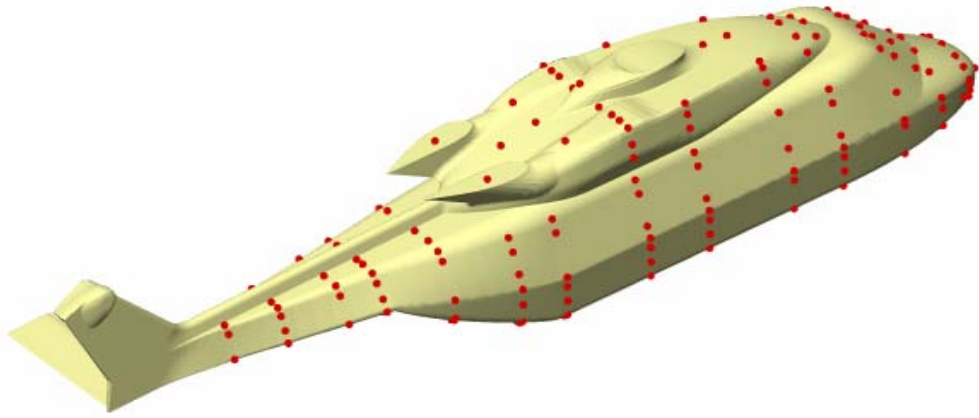
Vertical fin and tail rotor fairing

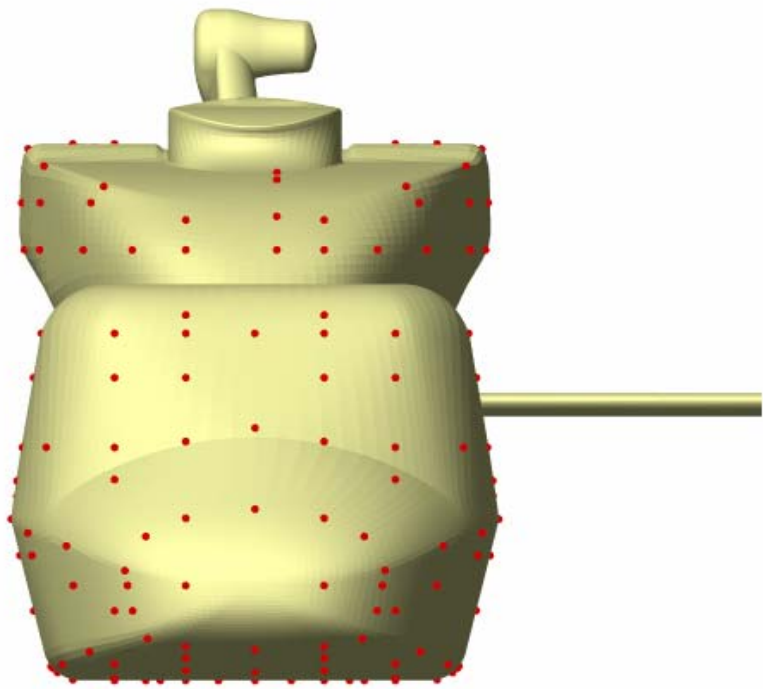
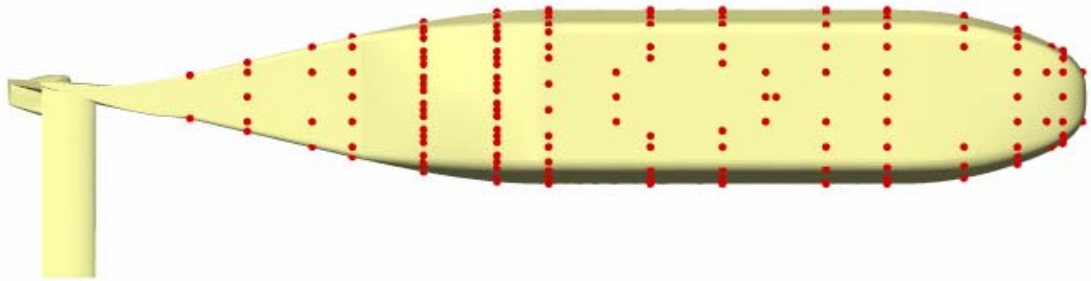


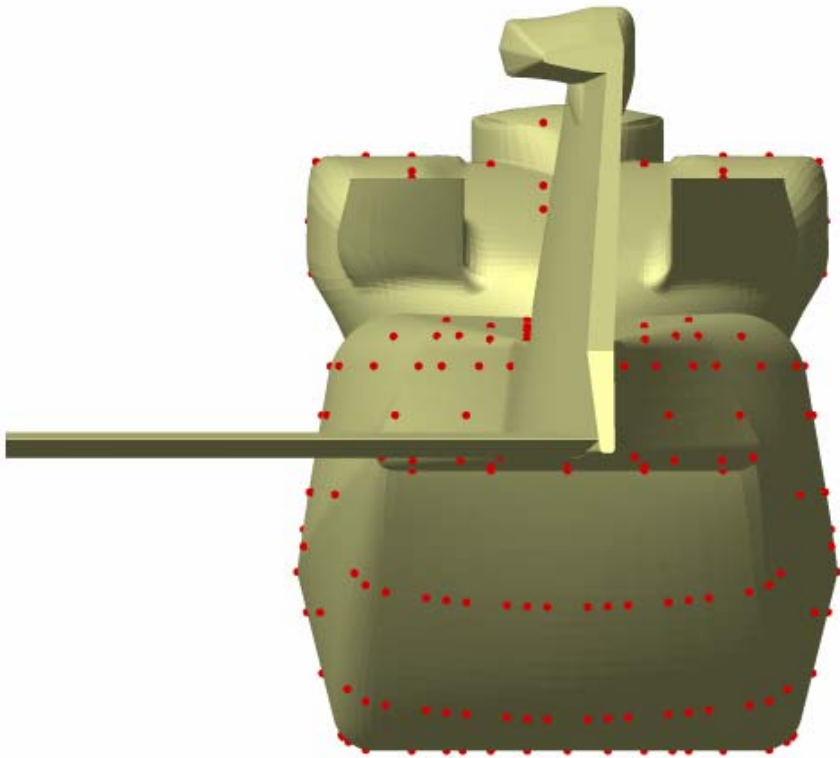
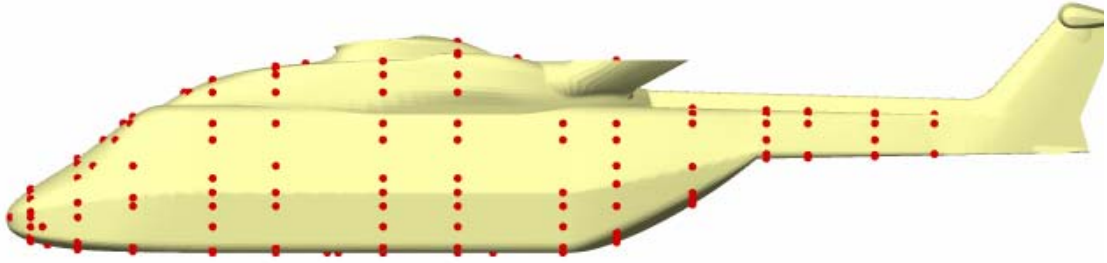
NH90 sc. 1:3.881 model as per NLR tests



Top view of the expected new tail rotor installation

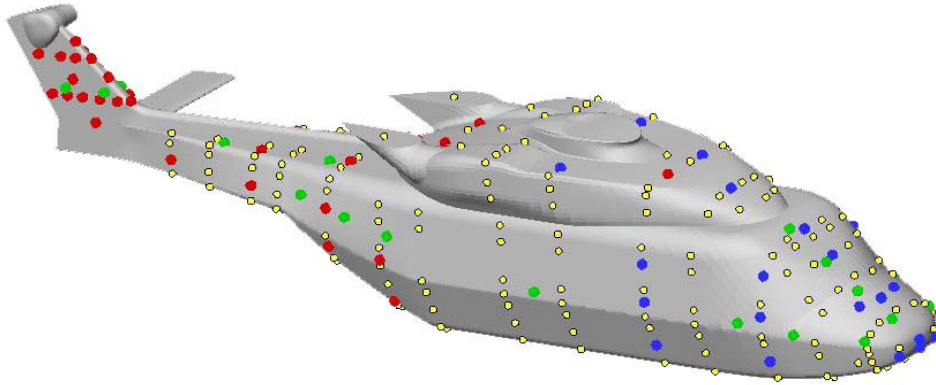






location of pressure sensors and hot films
(14 June 2006)

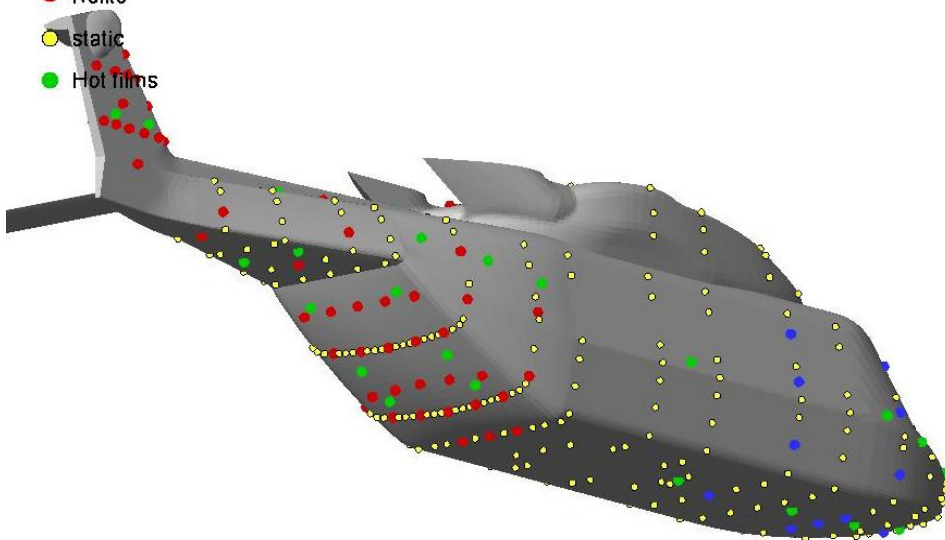
- Active Sensor
- Kulite
- static
- Hot films



Location of pressure sensors and hot film

location of pressure sensors and hot films
(14 June 2006)

- Active Sensor
- Kulite
- static
- Hot films



Location of pressure sensors and hot film (right view)



Nose section scribed and ready to drill

