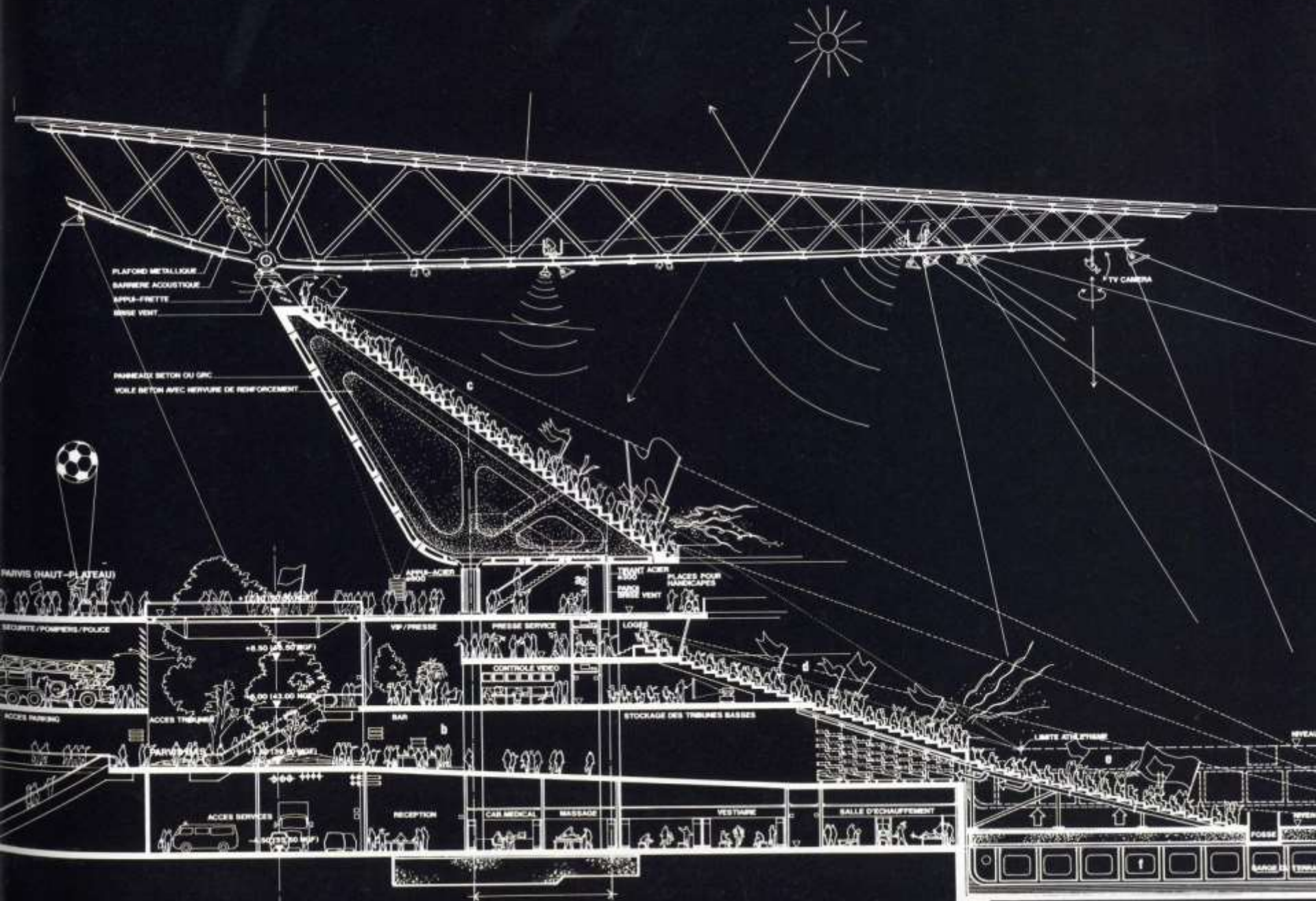


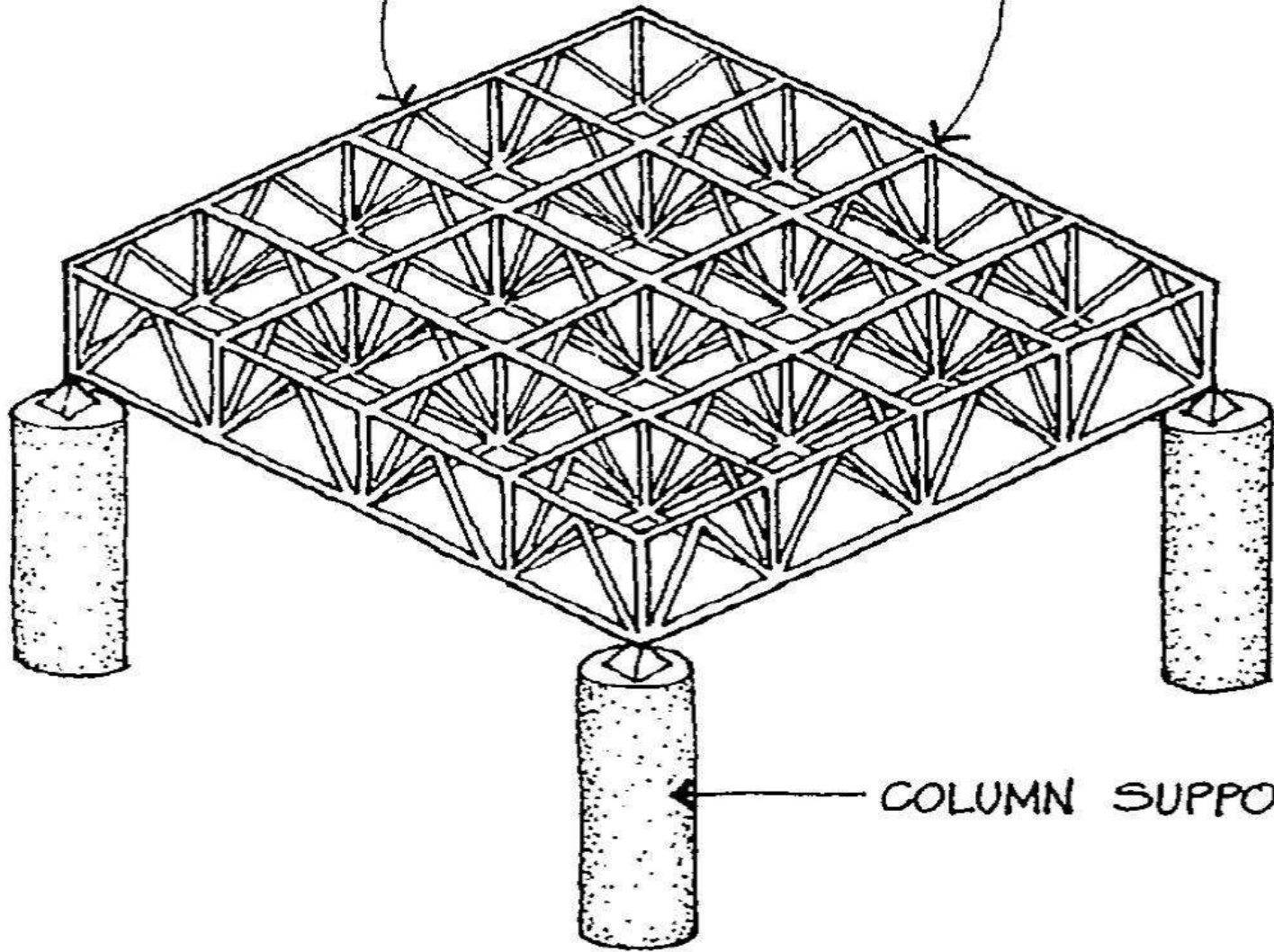
μεταλλικές κατασκευές – 2





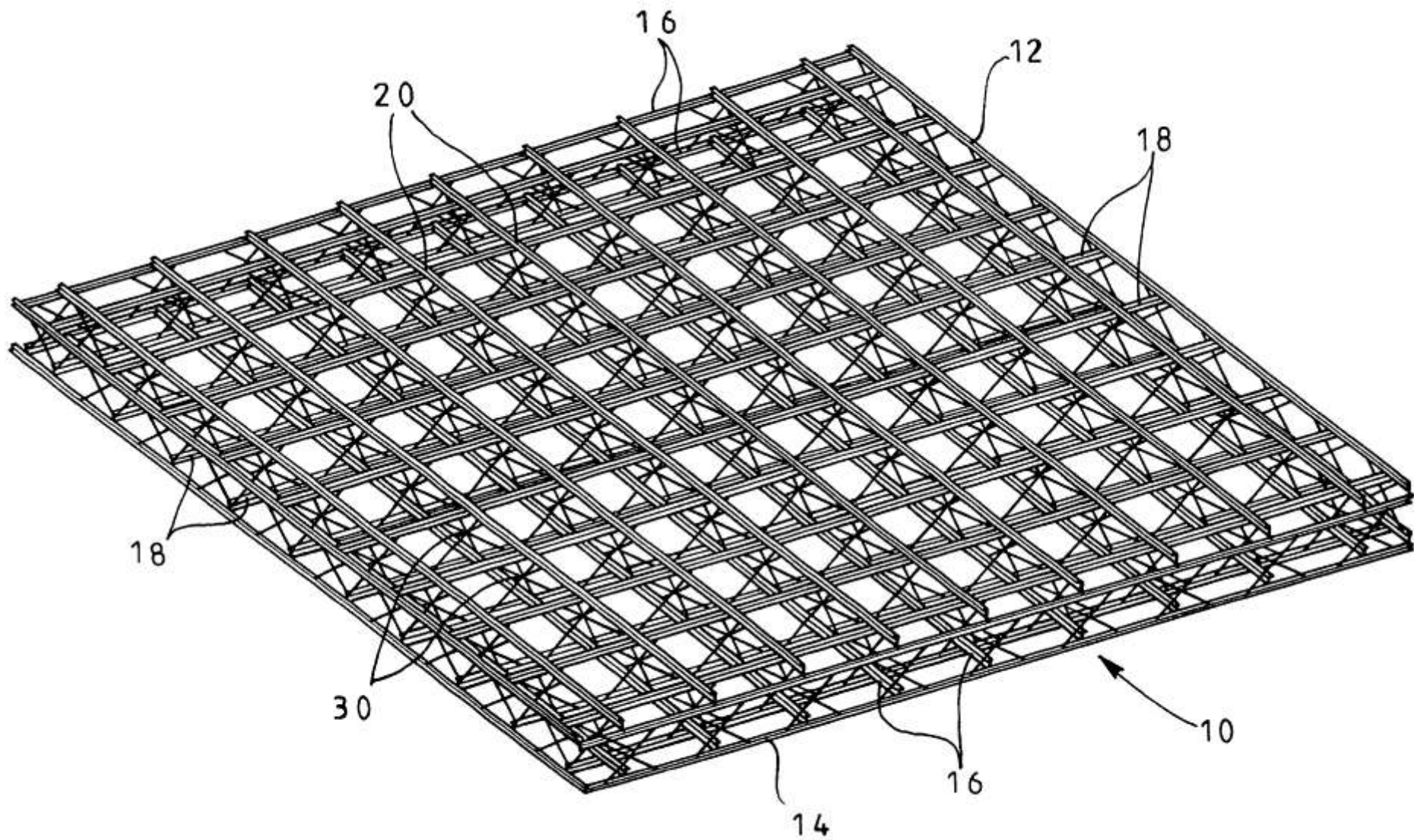


TRUSSES IN TWO DIRECTIONS
FORM GRID



COLUMN SUPPORT

TWO-WAY TRUSS SYSTEM





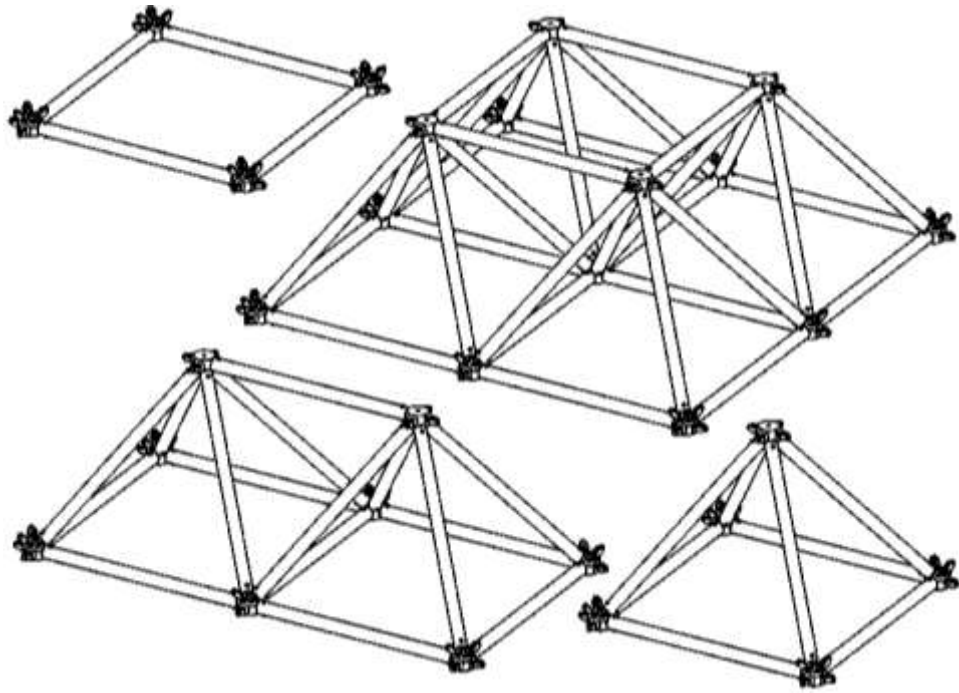






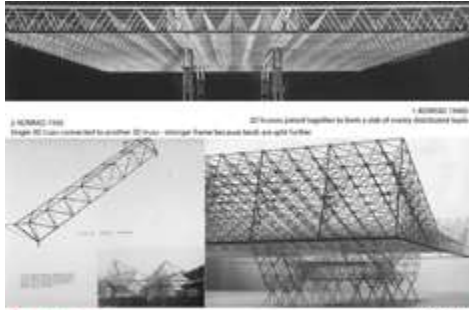


DPM
ДНЕПРОПОЛИМЕРМАШ



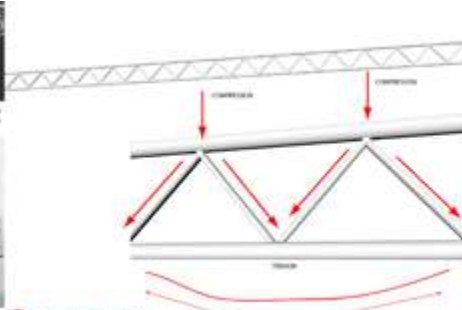
Χωροδικτυώματα



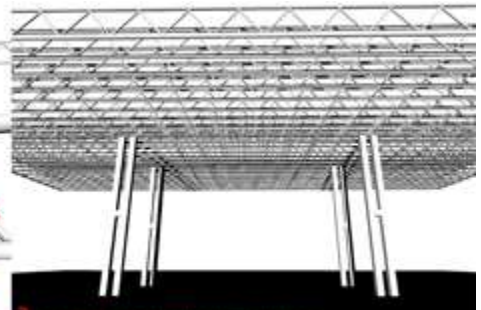


1. KONRAD

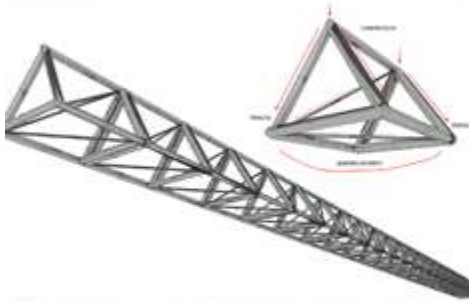
2D truss joined together to form a slab surface



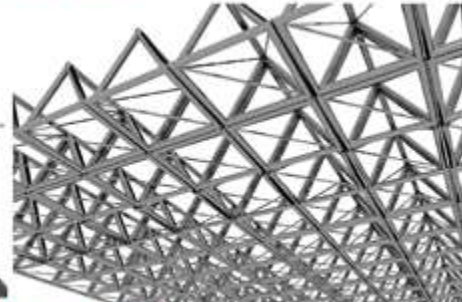
2. 2D TRUSS - FORCES



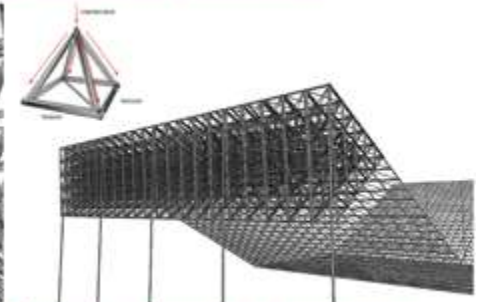
3. 2D TRUSS - joined together to form a slab surface



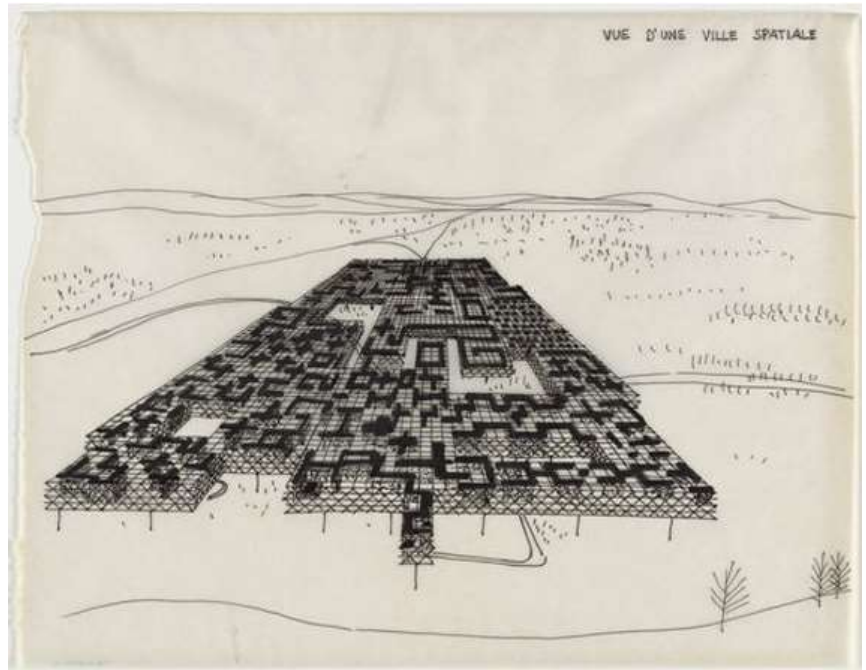
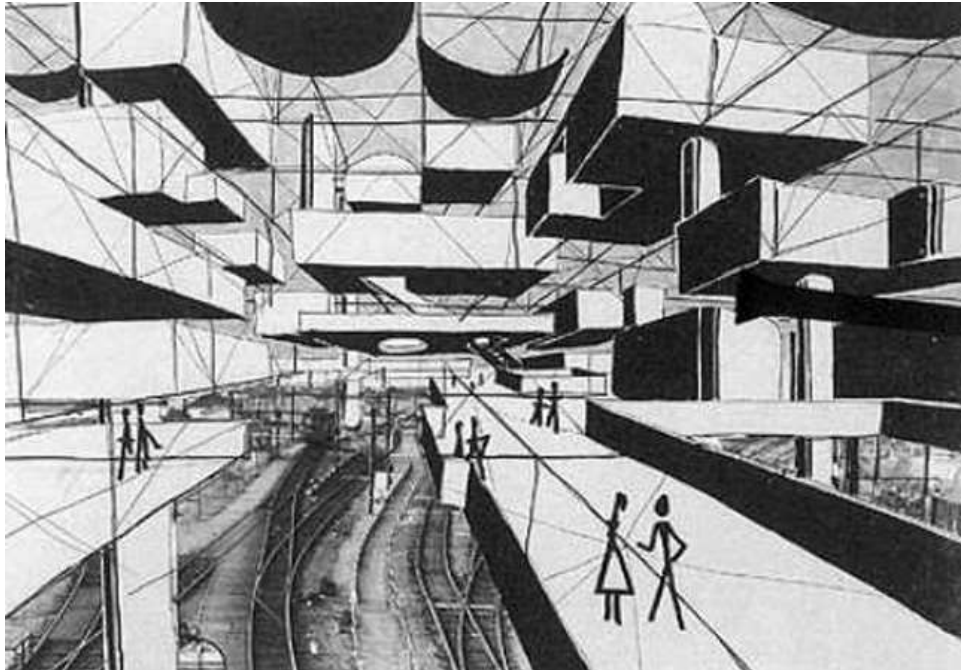
4. TRIANGULATED FRAME - loads are split in two directions (stronger, better span)

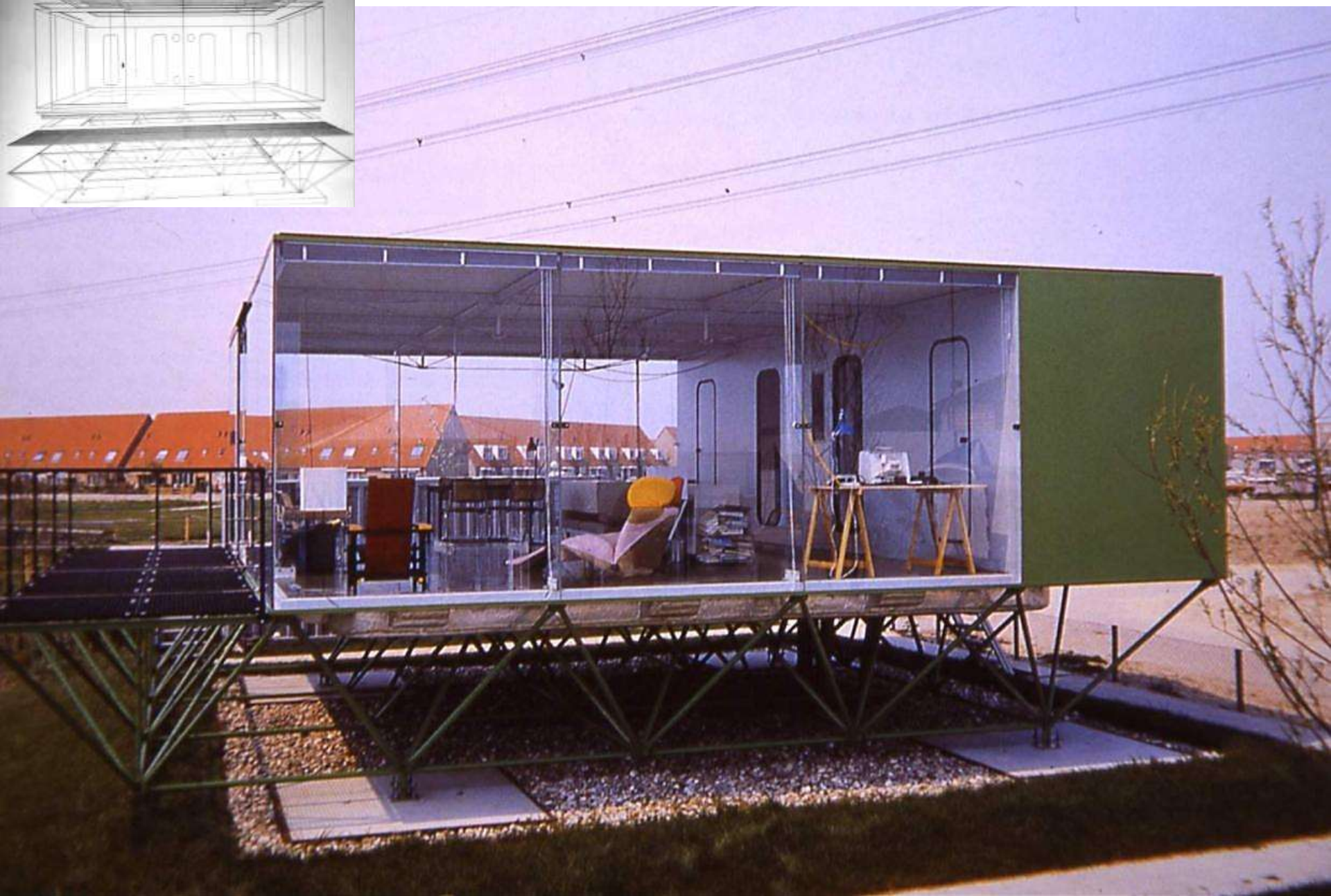
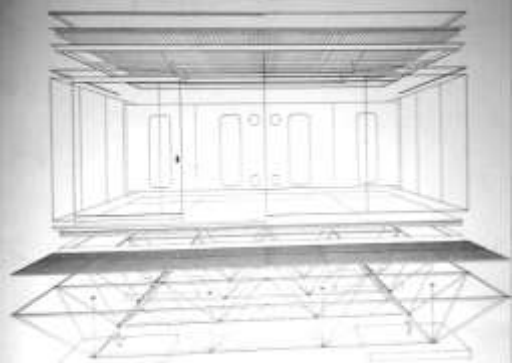


5. TRIANGULATED FRAMES



6. FULL SPACE FRAME - can be any shape and span any direction/length

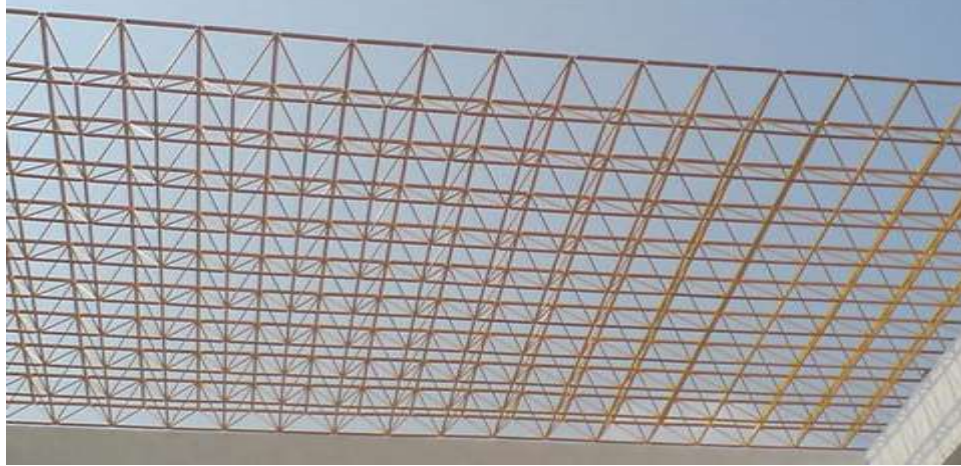


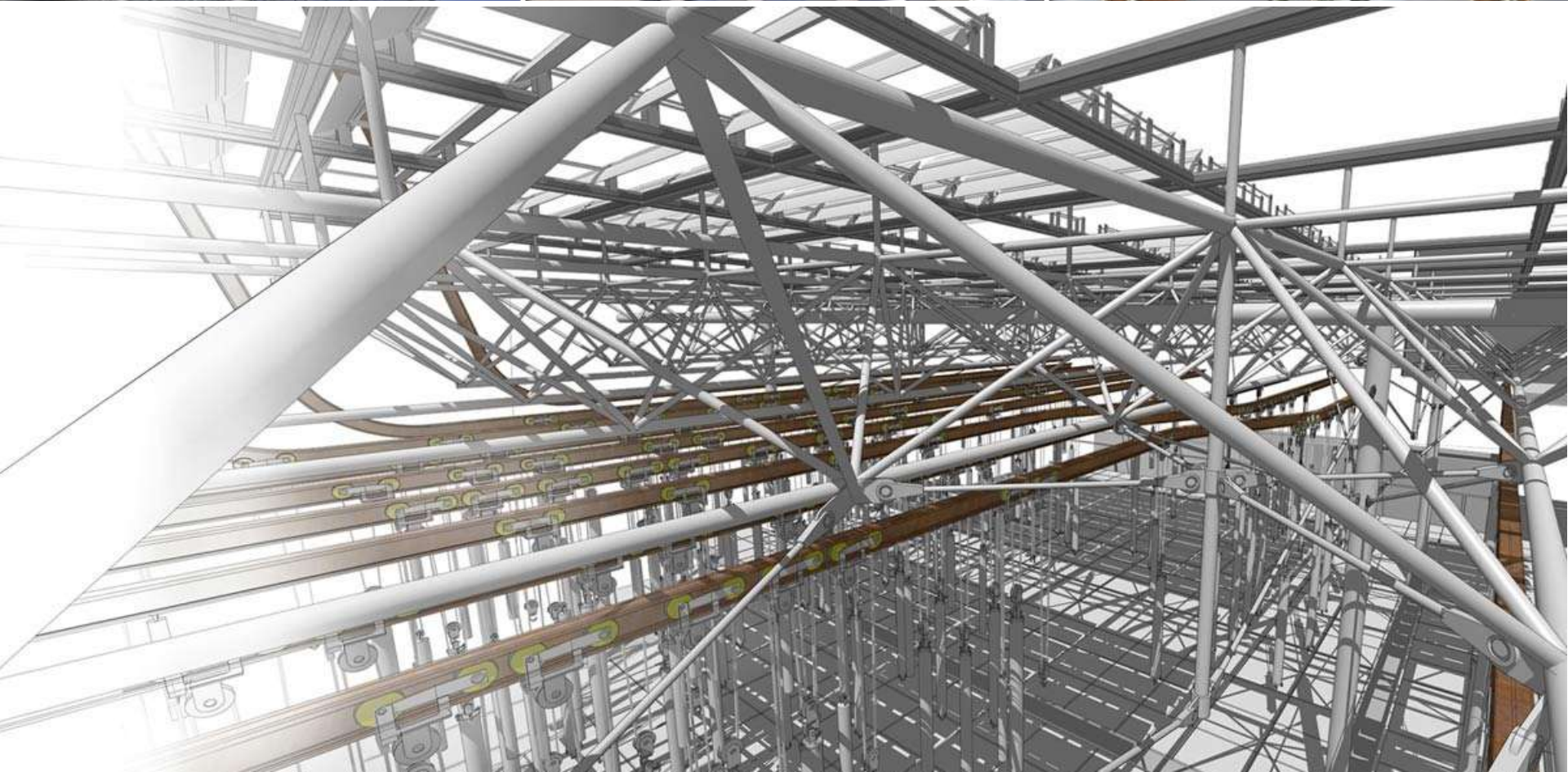


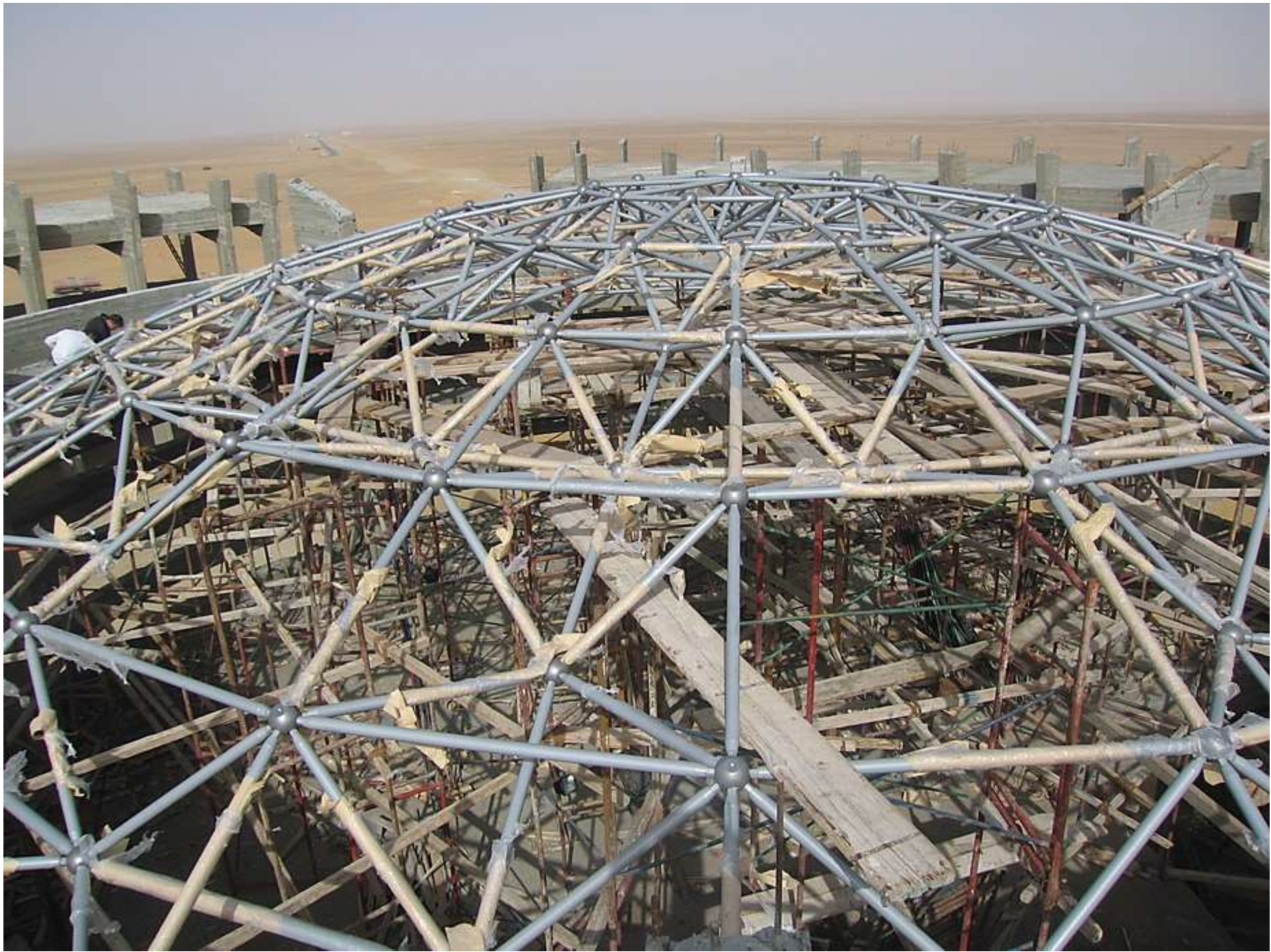


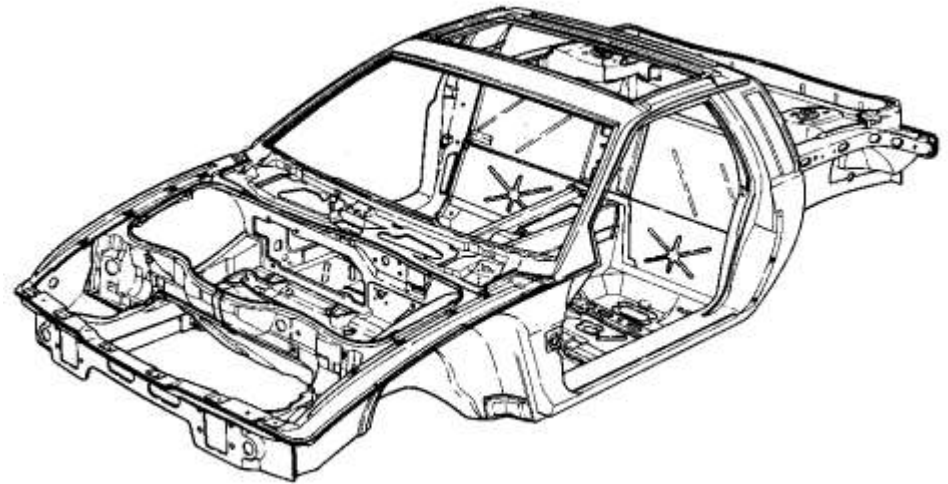
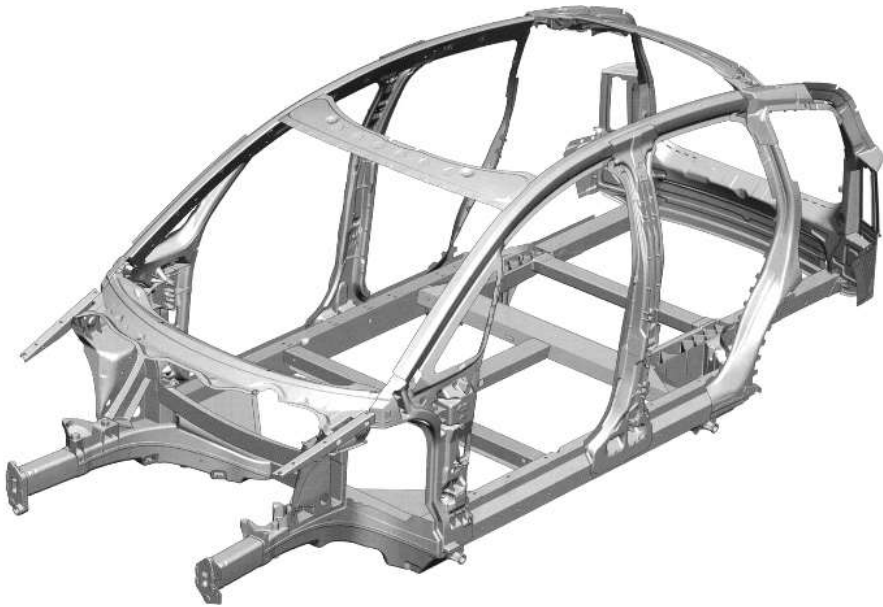
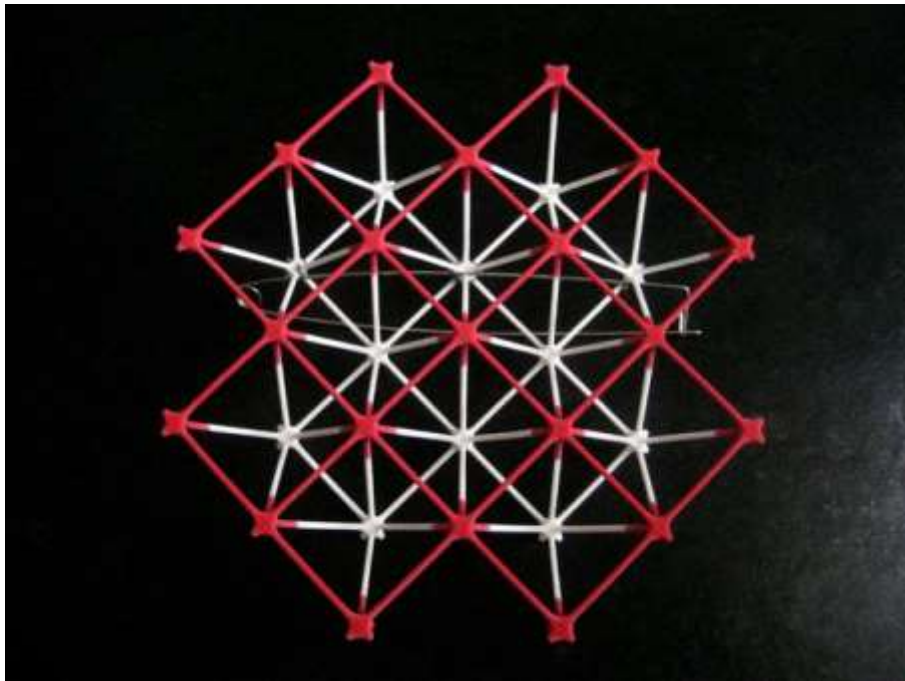


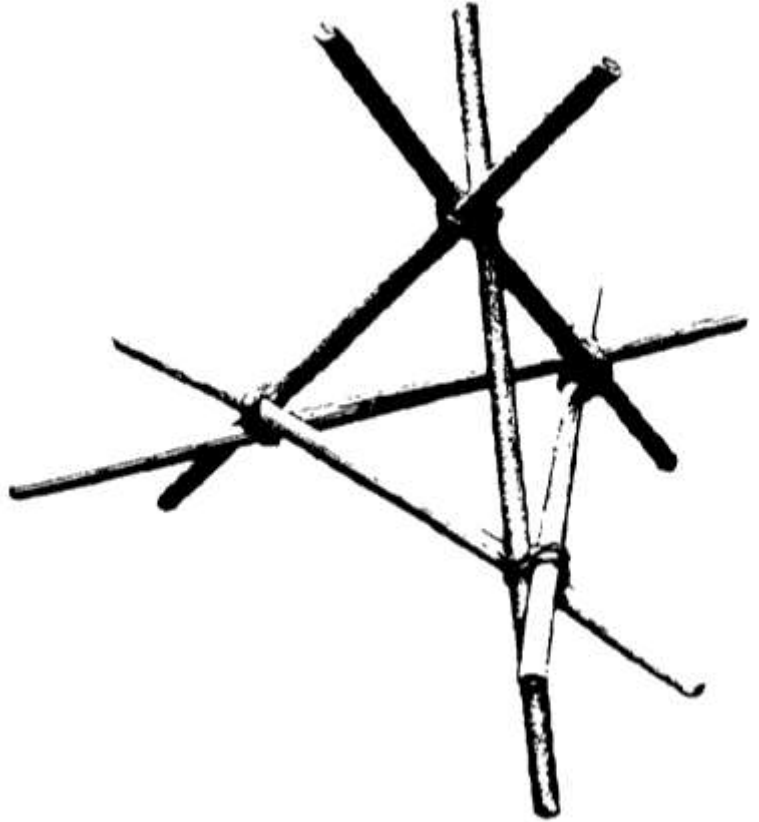


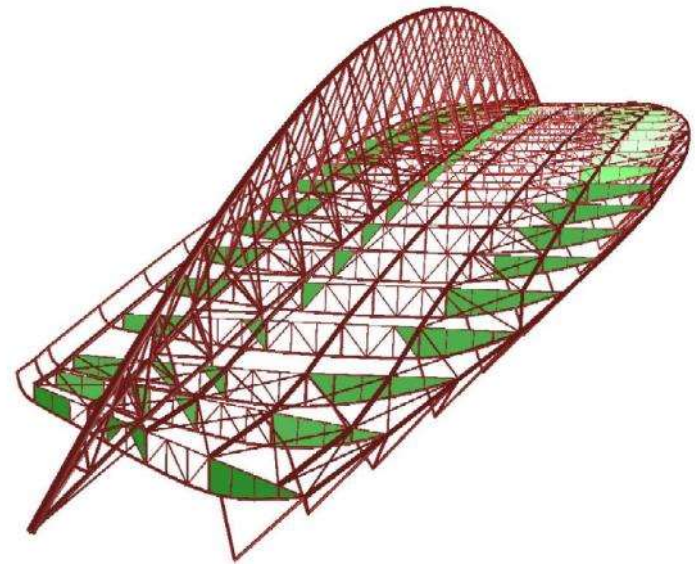




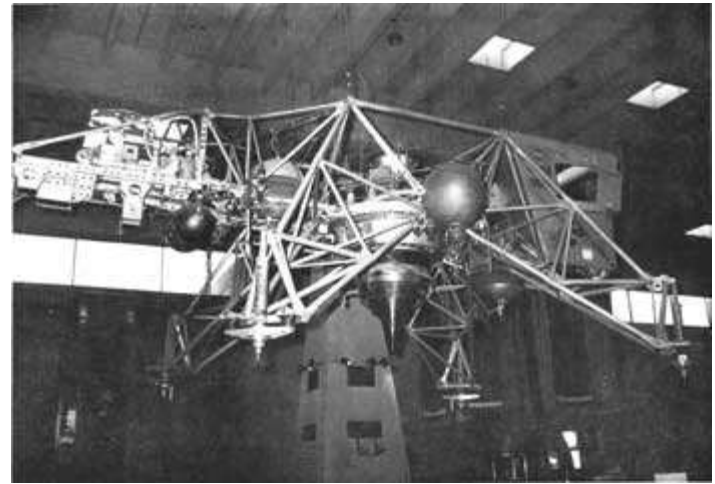
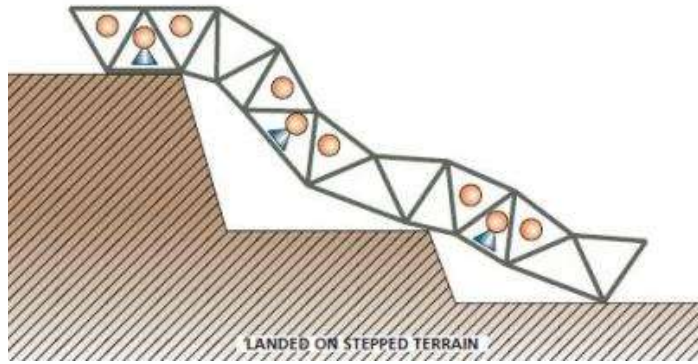
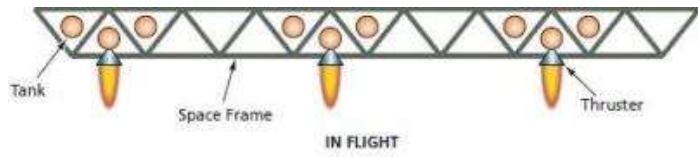














Beijing National Stadium, Herzog & de Meuron, 2008







Beijing National Aquatics Centre, PTW Architects, 2008

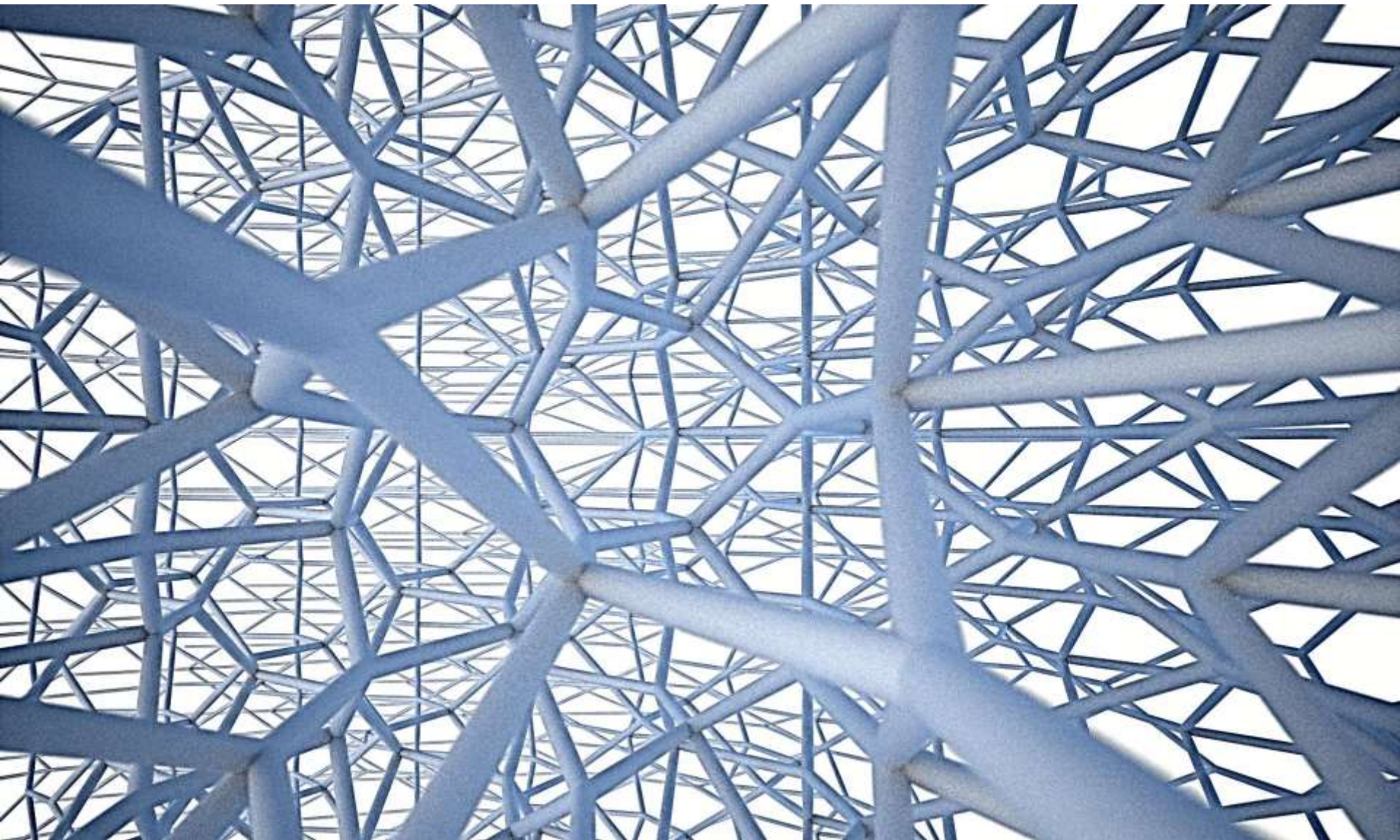


Beijing National Aquatics Centre, PTW Architects, 2008



Δενδροειδή υποστυλώματα











Σύμμεικτες κατασκευές





C 200

